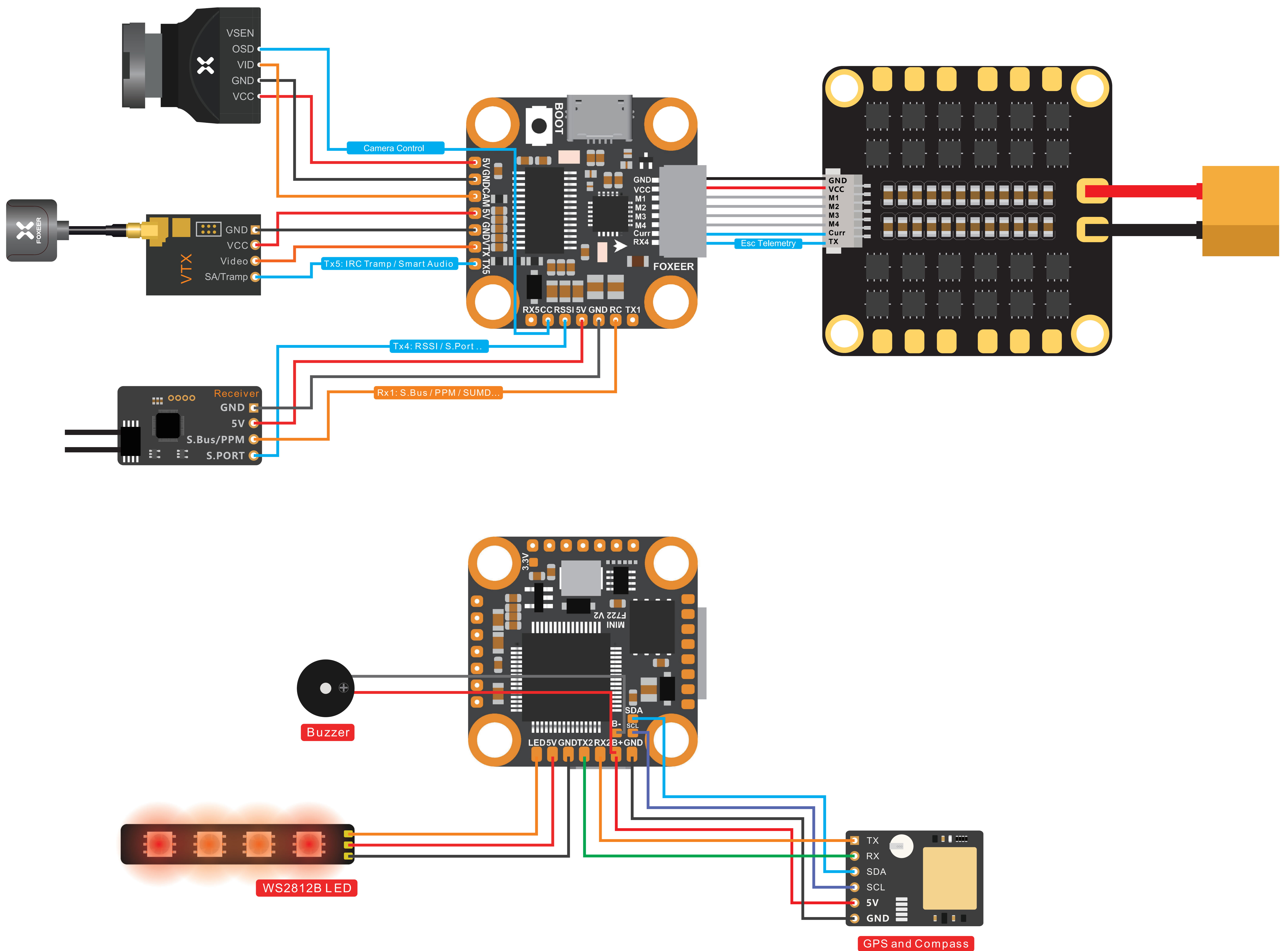


# FOXEEER F722 V2 Mini Flight Controller

## Wiring schematic diagram



# Work with DJI HD VTX by soldering

